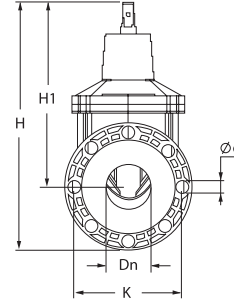
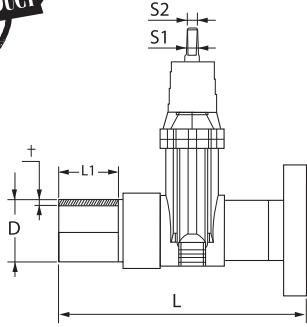




PE100 SÜRGÜLÜ VANA – UZUN SPİGOT/FLANŞLI PE100 GATE VALVE – LONG SPIGOT / FLANGED WATER / SU : PN16

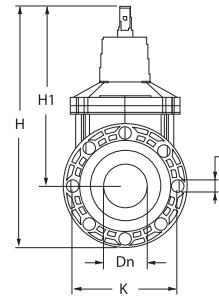
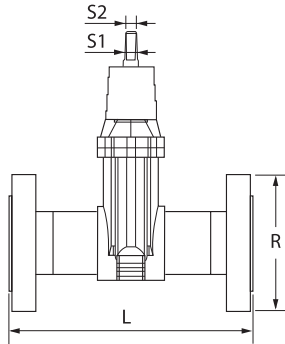


Metrik (mm) - Flans ölçüsü: ISO 7005-2 / Metric size (mm) - Drilling dimensions for flange: ISO 7005-2

ÜRÜN KODU PRODUCT CODE (420 SS+MS 58)	ÜRÜN KODU PRODUCT CODE (304 SS+DZR)	ÜRÜN KODU PRODUCT CODE (316 SS+DZR)	D	Dn	L	L1	H	H1	t	S1	S2	K	R	d/Qty
30.GF0.00.11.0090	30.GF0.77.11.0090	30.GF0.88.11.0090	90	80	450	150	445	345	9	19	16	160	200	18/8
30.GF0.00.11.0110	30.GF0.77.11.0110	30.GF0.88.11.0110	110	100	645	148	485	375	11	19	16	180	220	18/8
30.GF0.00.11.0160	30.GF0.77.11.0160	30.GF0.88.11.0160	160	150	650	200	662	520	16	24	21	240	285	23/8



PE100 SÜRGÜLÜ VANA – FLANŞLI PE100 GATE VALVE - FLANGED WATER / SU : PN16



Metrik (mm) - Flans ölçüsü: ISO 7005-2 / Metric size (mm) - Drilling dimensions for flange: ISO 7005-2

ÜRÜN KODU PRODUCT CODE (420 SS+MS 58)	ÜRÜN KODU PRODUCT CODE (304 SS+DZR)	ÜRÜN KODU PRODUCT CODE (316 SS+DZR)	Dn	PE'ye göre	L	R	H	H1	K	S1	S2	d/Qty
30.GFF.00.11.0090	30.GFF.77.11.0090	30.GFF.88.11.0090	80	90	387	200	445	345	160	19	16	18/8
30.GFF.00.11.0110	30.GFF.77.11.0110	30.GFF.88.11.0110	100	110	460	220	485	375	180	19	16	18/8
30.GFF.00.11.0125	30.GFF.77.11.0125	30.GFF.88.11.0125	100	125	500	220	475	365	180	19	16	18/8
30.GFF.00.11.0160	30.GFF.77.11.0160	30.GFF.88.11.0160	150	160	520	285	662	520	240	24	21	23/8