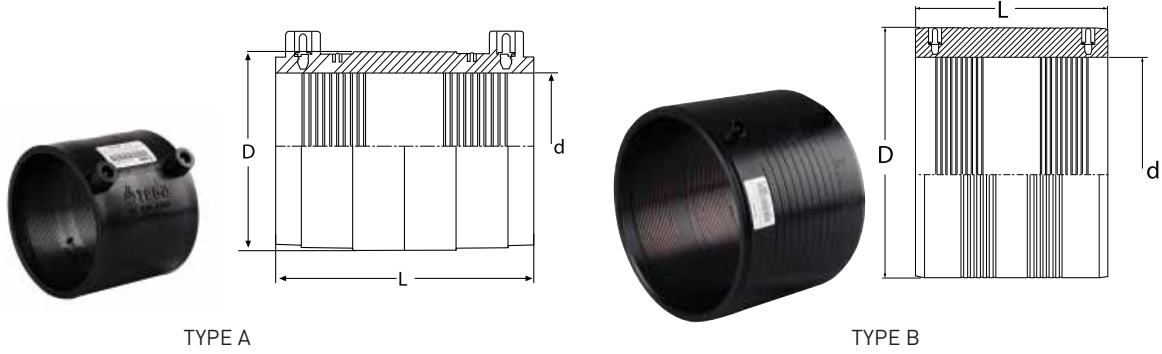


**EF COUPLER / EF MANŞON**

SDR 26 PE100

WATER / SU : 6 BAR



TYPE A

TYPE B

d	CODE	Kg.	D (mm)	L (mm)	box sizes	nos/box	type
63	30.MA1.00.27.0063	0,12	75	83	30*40*30	30	A
75	30.MA1.00.27.0075	0,13	87	83	60*40*30	36	A
90	30.MA1.00.27.0090	0,25	103	100	30*40*30	18	A
110	30.MA1.00.27.0110	0,33	125	100	60*40*30	24	A
125	30.MA1.00.27.0125	0,38	140	100	60*40*30	18	A
140	30.MA1.00.27.0140	0,67	155	160	60*40*45	12	A
160	30.MA1.00.27.0160	0,80	175	160	60*40*45	12	A
180	30.MA1.00.27.0180	0,845	197	160	60*40*45	12	A
200	30.MA1.00.27.0200	1,15	220	165	60*60*33	8	A
225	30.MA1.00.27.0225	1,25	245	165	60*40*45	7	A
250	30.MA1.00.27.0250	1,65	275	165	60*40*45	4	A
280	30.MA1.00.27.0280	2,28	305	165	60*40*45	3	A
315	30.MA1.00.27.0315	2,50	345	165	60*40*45	3	A
355	30.MA1.00.27.0355	3,75	390	180	60*40*45	3	A
400	30.MA1.00.27.0400	6,36	440	220	60*40*45	1	B
450	30.MA1.00.27.0450	7,23	495	220	60*60*33	1	B
500	30.MA1.00.27.0500	7,37	550	220	**		B
560	30.MA1.00.27.0560	12,20	615	250	**		B
630*	30.MA1.00.27.0630	19,70	690	330	**		B
710*	30.MA1.00.27.0710	26,00	780	330	**		B
800*	30.MA1.00.27.0800	33,50	880	330	**		B
900*	30.MA1.00.27.0900	48,70	990	380	**		B
1000*	30.MA1.00.27.1000	72,20	1110	380	**		B
1200*	30.MA1.00.27.1200	75,40	1300	400	**		B
1400*	30.MA1.00.27.1400	122,00	1530	425	**		B
1600*	30.MA1.00.27.1600	170,40	1750	450	**		B

\* Manşonun her iki tarafı ayrı kaynak olmaktadır. (2 ends of coupler fused separately)

\*\* No box is used. Only Euro pallets are being used.